

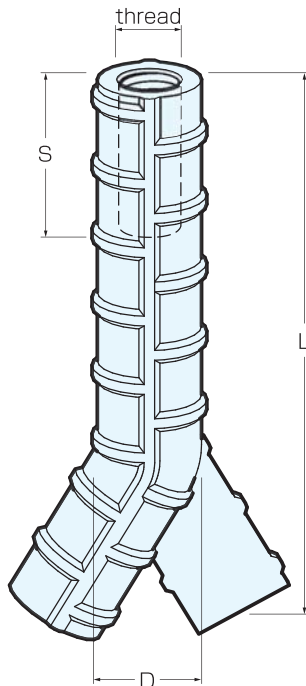
Y Insert Approved by the Building Center of Japan

Product Features

- It is made with inside threaded deformed bar, with a Y hook at its bottom to increase cohesiveness with concrete.
- Various kind of threading are available to match the dimensions of reinforcing bars used for jointing

concretes's gaps.

- Material : SD295A (SD345)
- Application : lifting heavy duty products, jointing construction of concrete, stripping.



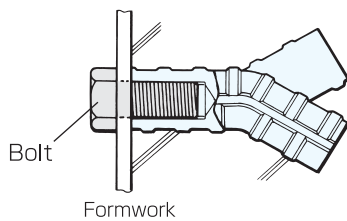
(Unit : mm)

thread	diameter (D)	Stock	length(L)							Jig (Cap)	
			L	75	100	125	150	200	250		300
M10	16	○									A
		Length(S)	20								
		Qty	200								
M12	19	○				○					D
		Length(S)	30	30		30					
		Qty	150	120		50					
M16	25	○		○	○	○	○				L
		Length(S)		35	40	40	40	40			
		Qty		70	40	40	30	25			
M20	32	○				○	○	○			F
		Length(S)				40	40	40	40		
		Qty				20	20	15	10		
M22	35	○				○	○				21
		Length(S)				50	50		50		
		Qty				20	15		8		
M24	38	○				○	○		○		22
		Length(S)				50	50		50		
		Qty				15	10		8		
W3/8	16	○									A
		Length(S)	20								
		Qty	200								
W1/2	19	○		○							C
		Length(S)	30	30		30					
		Qty	150	120		50					

Stock: Stock available, Qty: Quantity per carton
Surface treatment: M thread/Chromate W thread/Uni-chromate

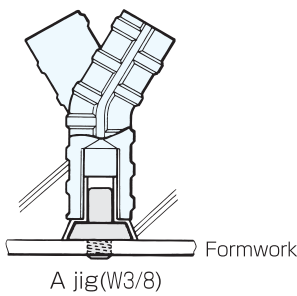
Mounting Methods

<Use with hexagon head bolt>



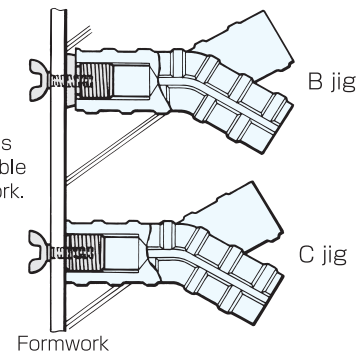
<A jig>

Positions out of reach



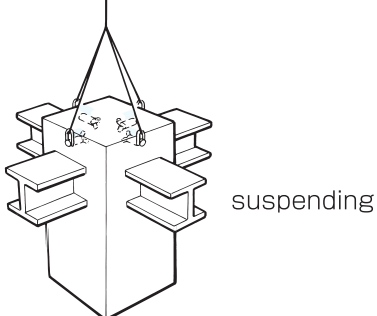
<B · C jig>

When big holes are not desirable on the formwork.



Applications

<PC Column, etc.>



<PC Beam, etc.>

